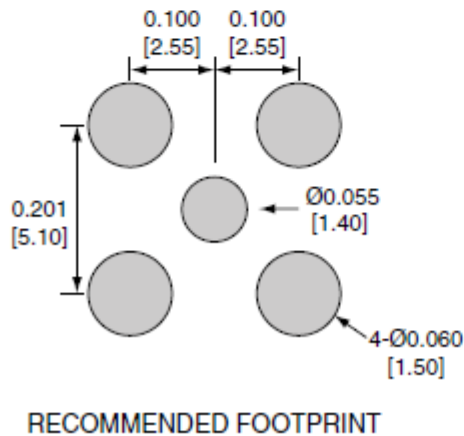
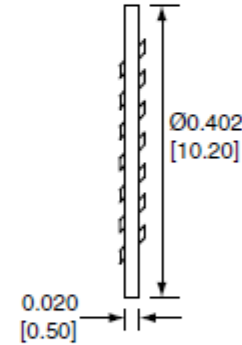
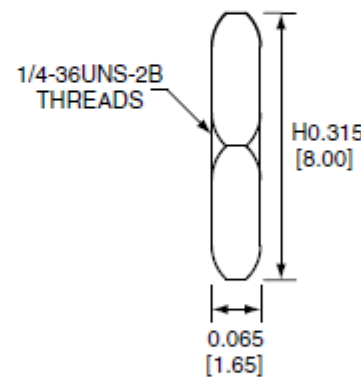
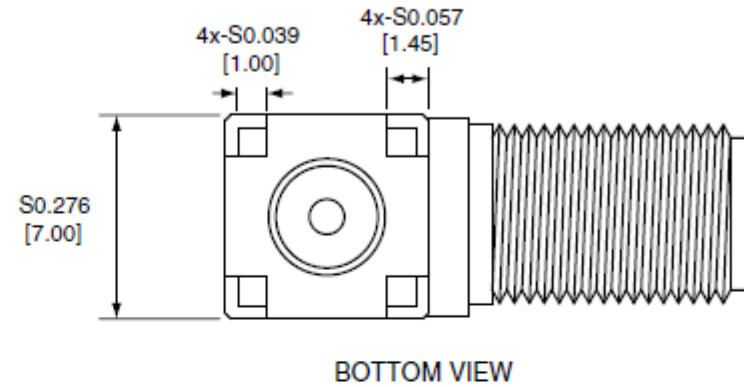
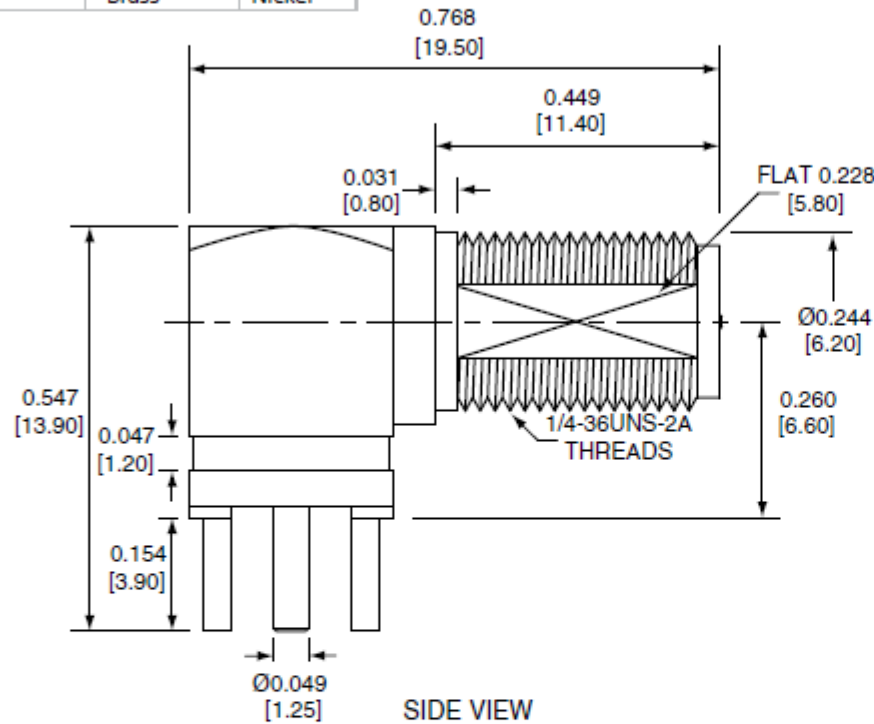


Description	Material	Finish
Body	Brass	Nickel
Pin	Brass	Gold
Insulation	PTFE	N/A
Nut	Brass	Nickel
Washer	Brass	Nickel

REVISIONS			
REV	DESCRIPTION	DATE	APPV
C	Add Pin Diameter; add flat area to barrel; change nut threads: 2A to 2B	8/21/09	CJ
D	Updated footprint and dimensions; Added new title block	29-JUN-12	SAH
E	Added pin to PCB dimension	17-OCT-12	SAH



NOTES: (UNLESS OTHERWISE SPECIFIED)

1. ALL DIMENSIONS ARE IN INCHES [mm].
2. DIMENSIONS APPLY AFTER FINISHING.
3. MANUFACTURE TO BE COMPLIANT WITH EU RoHS DIRECTIVE.
4. SAFETY BREAK ALL SHARP CORNERS AND EDGES .02 MAXIMUM.

WARNING: THIS DRAWING CONTAINS PROPRIETARY INFORMATION THAT IS THE SOLE PROPERTY OF LINX TECHNOLOGIES, AND SHALL BE TREATED AS SUCH. NO DISCLOSURE OR REPRODUCTION OF THIS DOCUMENT IS PERMITTED, IN WHOLE OR IN PART, WITHOUT THE EXPRESS WRITTEN PERMISSION OF LINX TECHNOLOGIES OR ITS DESIGNATED AGENTS.

MATERIAL:	TOLERANCES: .020 [0.50]-.200 [5.00]=±.008 [0.20] .200 [5.00]-1.200 [30.00]=±.016 [0.40] 1.20 [30.0]-4.75 [120.0]=±.024 [0.60] 4.75 [120.0]-12.40 [315.0]=±.040 [1.0]	PROJECTION:
FINISH:	DRAWN: B.MURPHY DT: 29-JUN-12	ANGLES: ±1°
	ENGR:	DT:

TITLE: RP-SMA FEMALE RIGHT ANGLE PCB MOUNT, EXTENDED		
SIZE A	DWG. NO. CONREVSMA002-L	REV E
SCALE: 2:1	DO NOT SCALE DRAWING	SHEET 1 OF 1